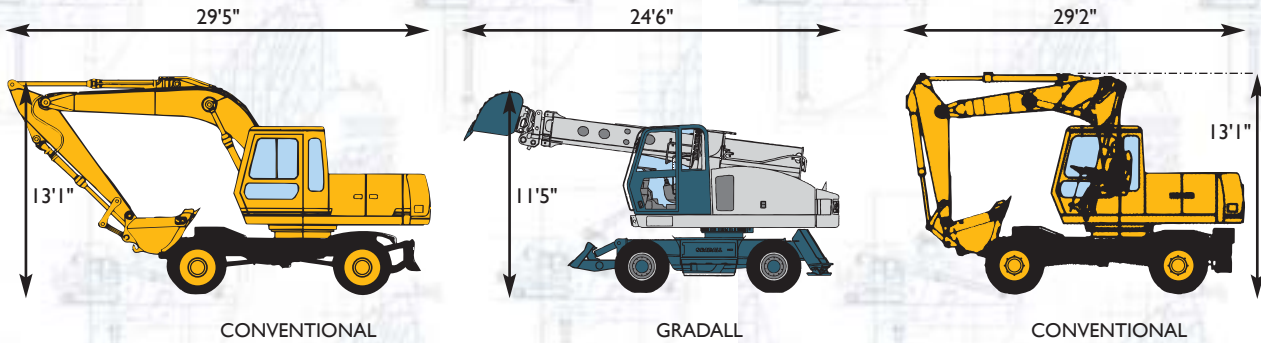


ADVANTAGES & BENEFITS

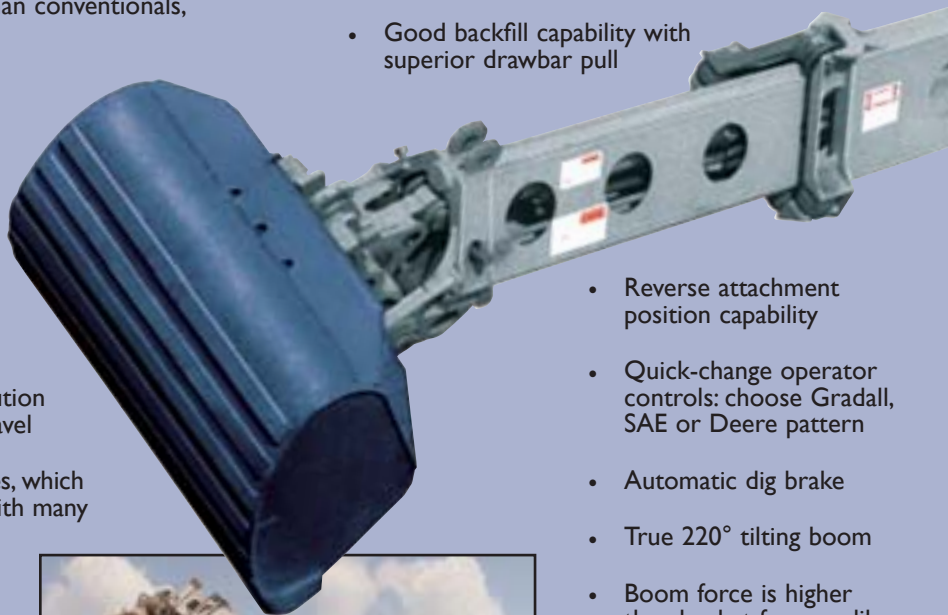
Gradall XL 3300 vs. Conventional 30,000 lb Class Wheeled Carrier Models

SHORTER TRAVEL LENGTH • LOWER TRAVEL HEIGHT



- Pricing comparable to high profile conventional models
- Looks more compact than conventionals, but weight is same
- Lower working height
- Shorter tail swing
- Lower center of gravity
- 8'6" x 8'6" carrier
- Better travel visibility
- Balanced weight distribution for smoother jobsite travel
- Pick and carry capabilities, which are not even available with many conventional models
- Favorable digging cycle times
- 360° lift chart
- Narrower outrigger spread: 10'6" vs. 11'1" for Volvo and 12'7" for Cat

- Productivity compares favorably with conventional models, even when outriggers are up
- Good backfill capability with superior drawbar pull



- Reverse attachment position capability
- Quick-change operator controls: choose Gradall, SAE or Deere pattern
- Automatic dig brake
- True 220° tilting boom
- Boom force is higher than bucket force, unlike conventional models
- More boom power and bucket power



GRADALL[®]

Gradall • 406 Mill Avenue S.W. • New Philadelphia, OH 44663 • Phone: 330-339-2211 • Fax: 330-339-8468 • www.gradall.com

Printed in U.S.A. • Form No. 10252 6/05

sell the difference

A ALAMO GROUP